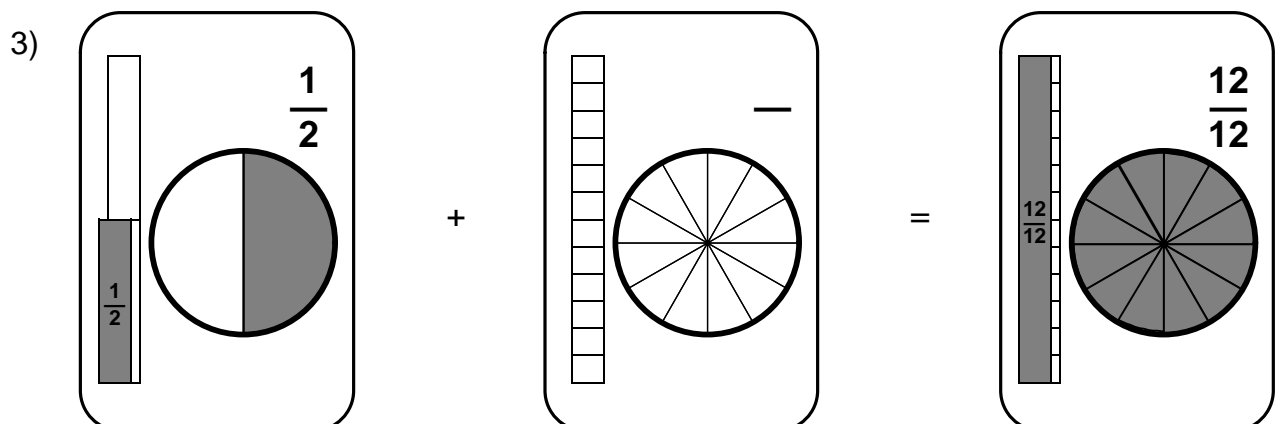
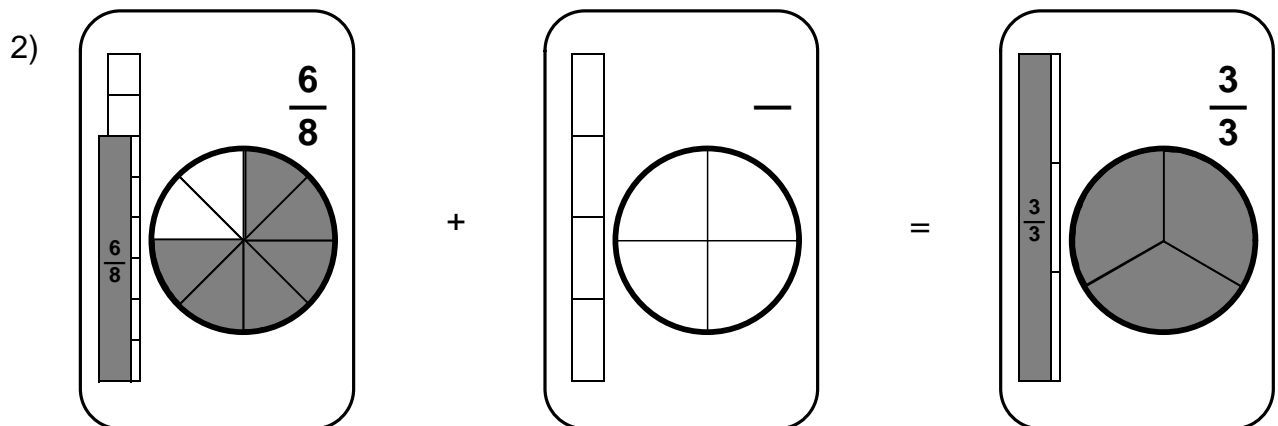
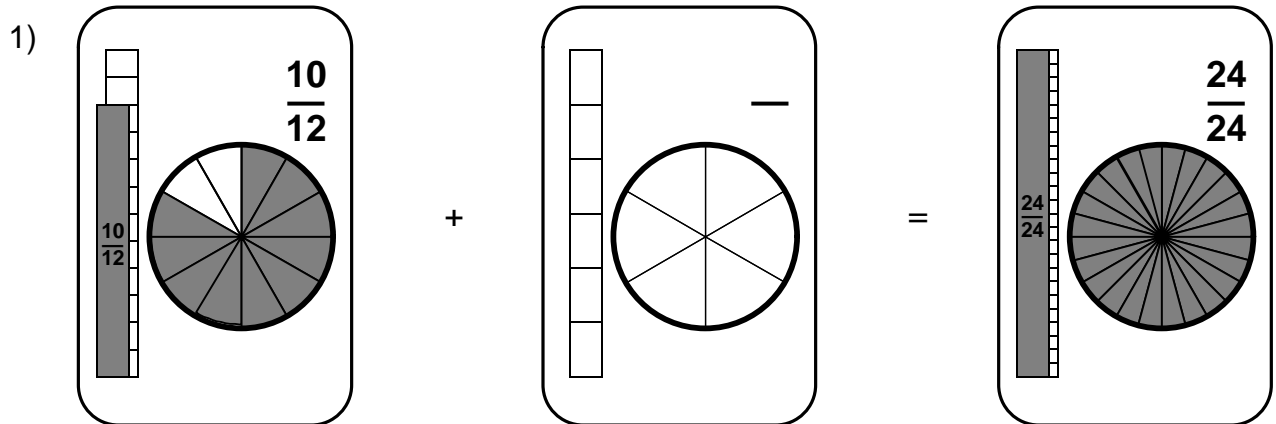


BLACK JACK PRACTICE 3

Name _____

For each group of cards given, complete the second card by writing the fraction and shading the pie chart and bar graph to match so that the sum of the first two cards is equivalent to the sum pictured.



solutions for BLACK JACK PRACTICE 3

For each group of cards given, complete the second card by writing the fraction and shading the pie chart and bar graph to match so that the sum of the first two cards is equivalent to the sum pictured.

